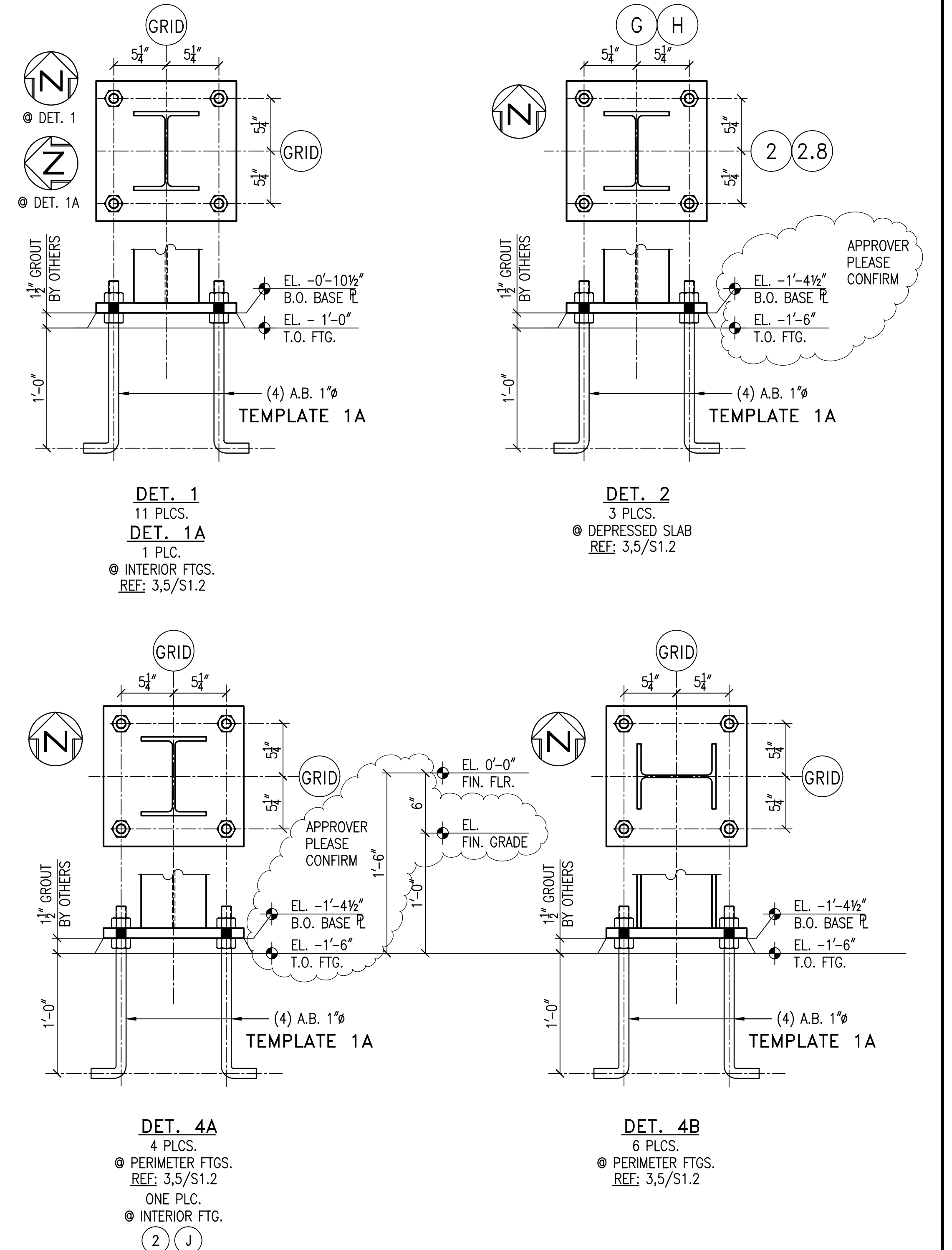


Anchor Bolt Setting Plan
REF: S2.1



NOTE:
TS COLUMNS ARE TO BE ANCHORED TO FINISH SLAB W/ WEDGE ANCHORS. NO ANCHOR RODS ARE PROVIDED. Per SK-1. Δ

NOTE:
DIMENSIONS MAY BE DISTORTED FOR CLARITY. DO NOT SCALE THIS DRAWING.

NOTES:
ANCHOR BOLTS & TEMPLATE PLATES FURNISHED BY VULCAN STEEL CO. & SET BY OTHERS.
THE DIMENSIONS GIVEN ON THIS PLAN MUST BE STRICTLY ADHERED TO IN ALL MASONRY, CONCRETE OR BUILDING CONSTRUCTION OR THE STEEL WILL NOT FIT. REPORT ANY ERRORS OR DISCREPANCIES TO VULCAN STEEL CO. SHIPPING MARKS TO READ RIGHT SIDE UP ON LEFT END OF MEMBER IN POSITIONS SHOWN.
THIS DRAWING IS THE PROPERTY OF VULCAN STEEL CO.

PRINT RECORD			REVISIONS	
DATE	FOR	QTY.	DATE	ITEMS
			9/26/01	Per As-Built Footing Information
			9/2/01	Per Approver Comments

GEN'L SHOP NOTES		VULCAN STEEL COMPANY POST OFFICE BOX 386 2038 SOUTH SYCAMORE AVENUE, BLOOMINGTON, CA 92316
FIL WELDS	U.N.O.	
BOLTS	U.N.O.	STRUCTURE: Field House Addition LOCATION: Redlands, CA
HOLES	U.N.O.	
EDGE DIST.	U.N.O.	CONTRACTOR: Tilden-Coil Constructors
PAINT	NO PAINT	ARCH. OR ENG.: Cannon Design
DRAWN BY: HJM	DATE: 8/14/01	CONTRACT NO.
CHKD. BY: HM	DATE: 8/17/01	0114

