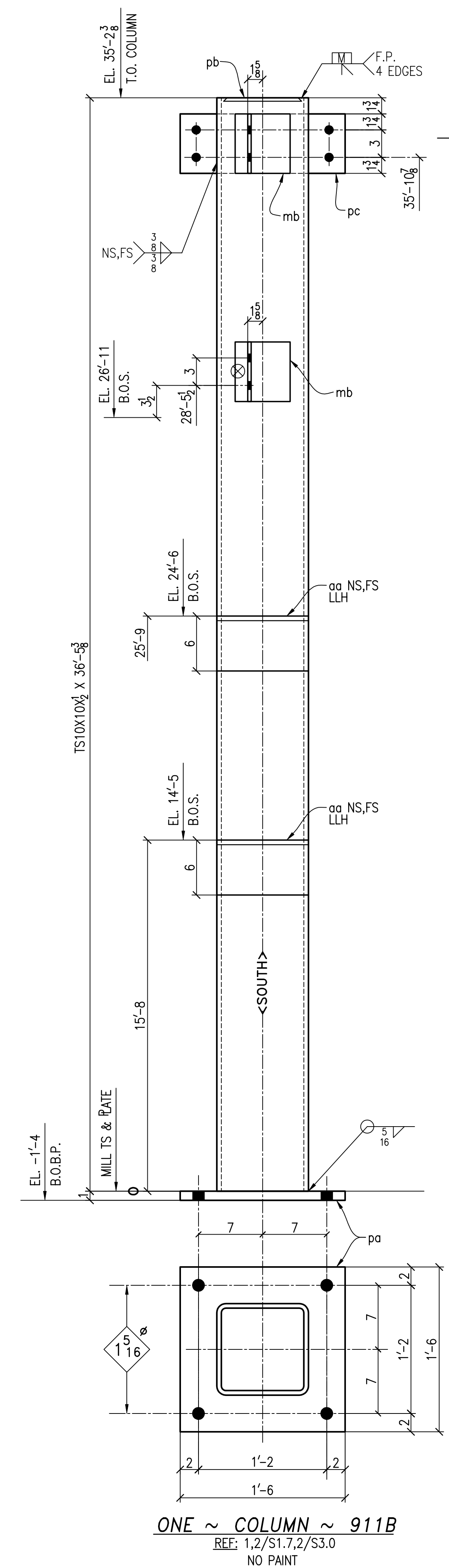
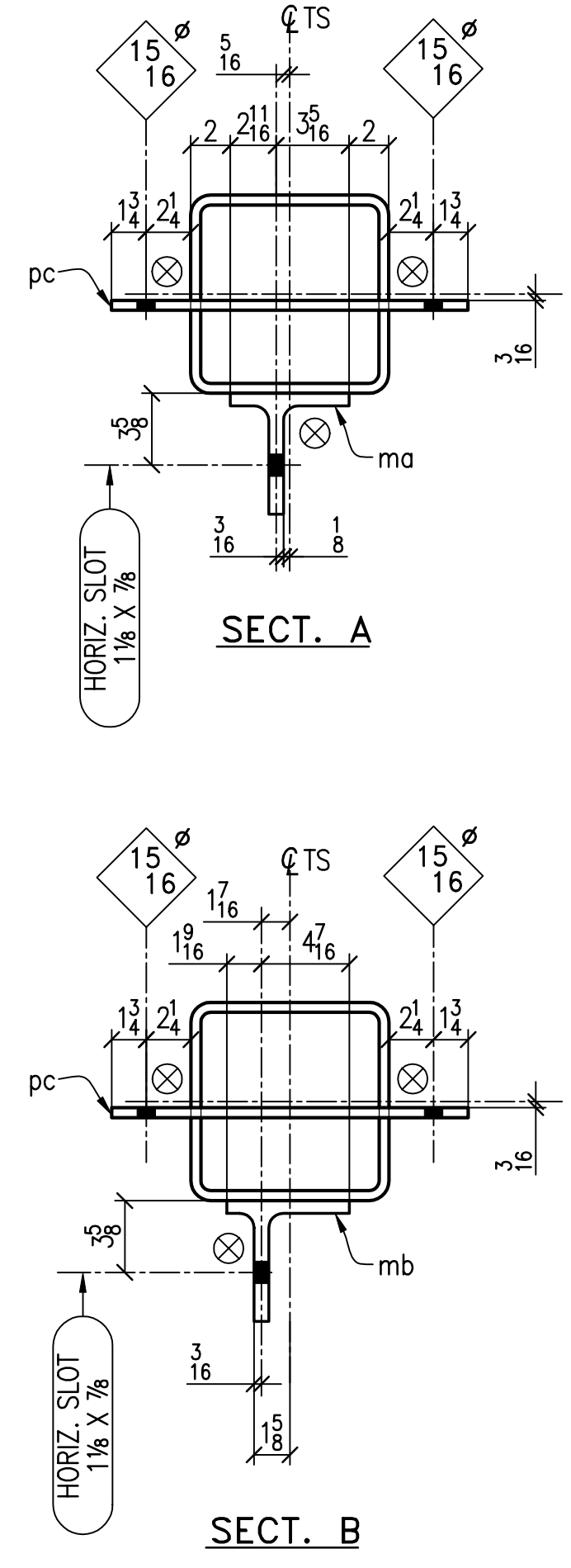
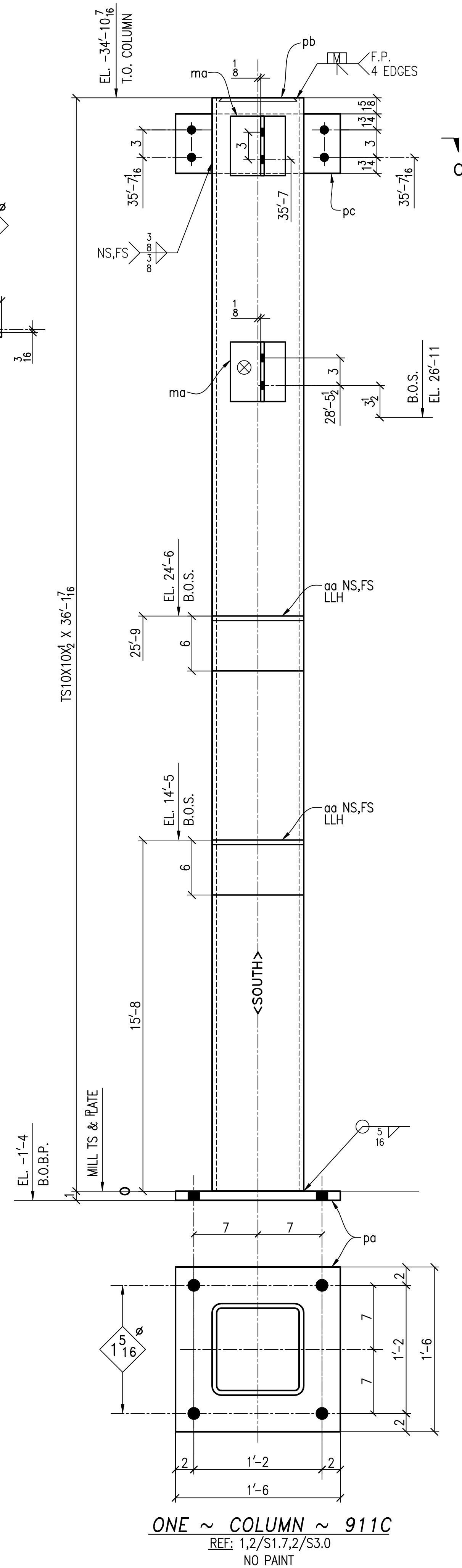
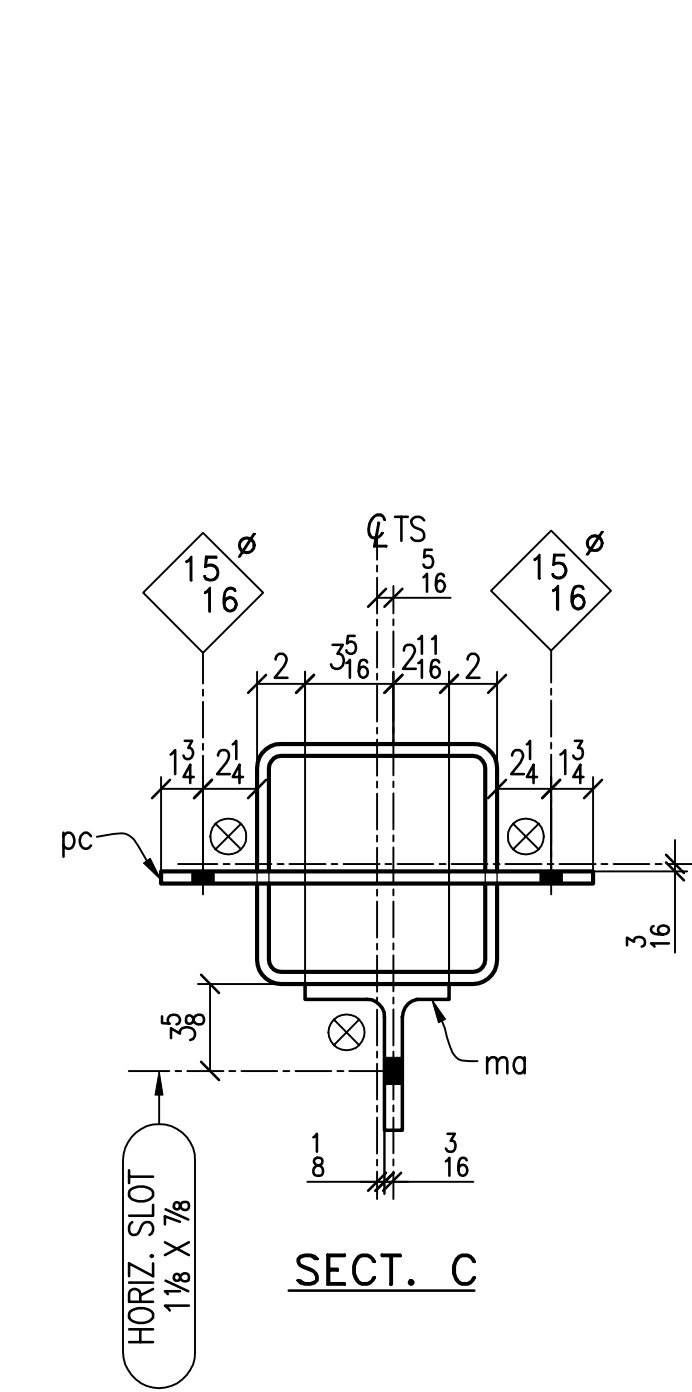


ONE ~ COLUMN ~ 911A  
REF: 1,2/S1.7,2/S3.0  
NO PAINT



ONE ~ COLUMN ~ 911B  
REF: 1,2/S1.7,2/S3.0  
NO PAINT



ONE ~ COLUMN ~ 911C  
REF: 1,2/S1.7,2/S3.0  
NO PAINT

MATERIAL SPECIFICATION:  
TS A500 Gr. B ANGLES A36  
ALL OTHER MATL A572 Gr. 50

○ Indicates Start Of Running Dimensions  
⊗ Indicates Erection Target

**BILL OF MATERIAL**

NO. OF PIECES	SHIP'G MARK	ASS'Y MARK	SECTION	LENGTH		REMARKS	WT.	CWT.	TOTAL
				FEET	INCHES				
ONE	911A		TS 10 X 10 X 1/2	36	1 1/2	MILL 1E			
4		aa	L 8 X 6 X 1/2	0	10				
ONE		pa	P 1 X 18	1	6				
ONE		pb	P 1/2 X 9 1/2	0	9 1/2	BEV 4E			
ONE		pc	P 1/2 X 6 1/2	1	6				
2		ma	WT 6 X 25	0	6 1/2	CUT AS SHWN.			
ONE	911B		TS 10 X 10 X 1/2	36	5 3/8	MILL 1E			
4		aa	L 8 X 6 X 1/2	0	10				
ONE		pa	P 1 X 18	1	6				
ONE		pb	P 1/2 X 9 1/2	0	9 1/2	BEV 4E			
ONE		pc	P 1/2 X 6 1/2	1	6				
2		mb	WT 6 X 25	0	6 1/2	CUT AS SHWN.			
ONE	911C		TS 10 X 10 X 1/2	36	17 1/8	MILL 1E			
4		aa	L 8 X 6 X 1/2	0	10				
ONE		pa	P 1 X 18	1	6				
ONE		pb	P 1/2 X 9 1/2	0	9 1/2	BEV 4E			
ONE		pc	P 1/2 X 6 1/2	1	6				
2		ma	WT 6 X 25	0	6 1/2	CUT AS SHWN.			

**NOTES:**  
ANCHOR BOLTS & TEMPLATE PLATES FURNISHED BY VULCAN STEEL CO. & SET BY OTHERS.  
THE DIMENSIONS GIVEN ON THIS PLAN MUST BE STRICTLY ADHERED TO IN ALL MASONRY, CONCRETE OR BUILDING CONSTRUCTION OR THE STEEL WILL NOT FIT. REPORT ANY ERRORS OR DISCREPANCIES TO VULCAN STEEL CO.  
SHIPPING MARKS TO READ RIGHT SIDE UP ON LEFT END OF MEMBER IN POSITIONS SHOWN.  
THIS DRAWING IS THE PROPERTY OF VULCAN STEEL CO.

PRINT RECORD			REVISIONS	
DATE	FOR	QTY.	DATE	ITEMS

GEN'L SHOP NOTES		<p><b>VULCAN STEEL COMPANY</b> POST OFFICE BOX 386 2038 SOUTH SYCAMORE AVENUE, BLOOMINGTON, CA 92316</p> <p>STRUCTURE: <b>Gabrielino H.S. Gym</b> LOCATION: <b>San Gabriel, CA</b> CONTRACTOR: <b>S. J. Amoroso</b> ARCH. OR ENG.: <b>Ove Arup</b> CONTRACT NO. <b>0009</b></p>
FIL WELDS	U.N.O.	
BOLTS	U.N.O.	
HOLES NOTED	U.N.O.	
EDGE DIST.	U.N.O.	
PAINT	NO PAINT	
DRAWN BY <b>H.M.</b>	DATE <b>9/1/00</b>	
CHKD. BY <b>HM</b>	DATE <b>9/23/00</b>	