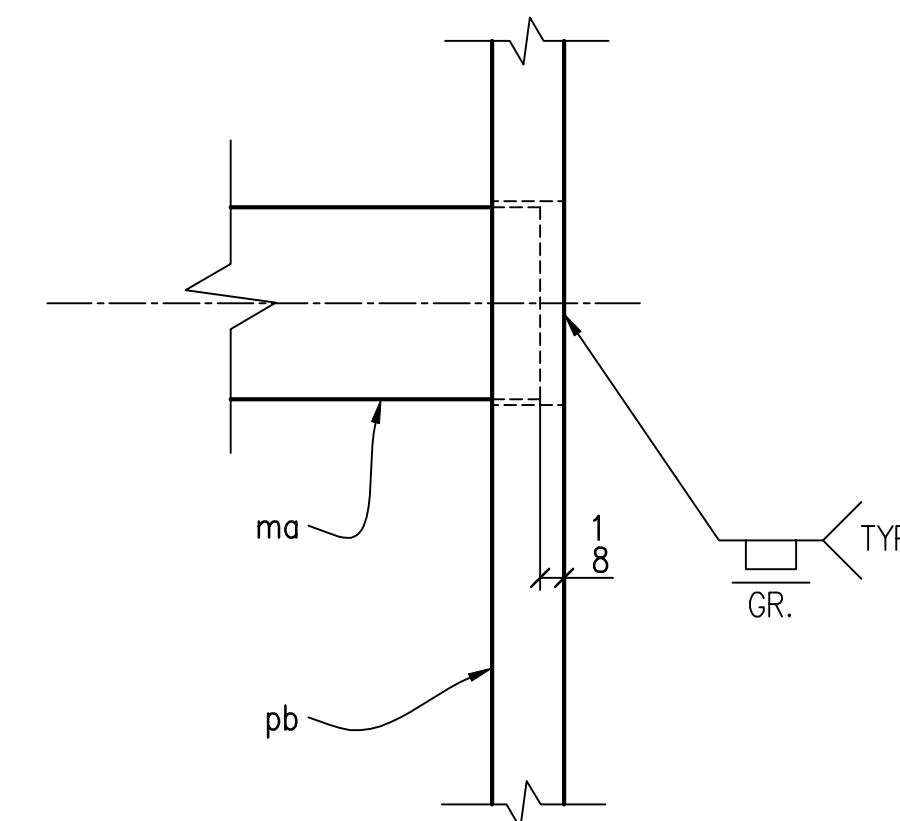
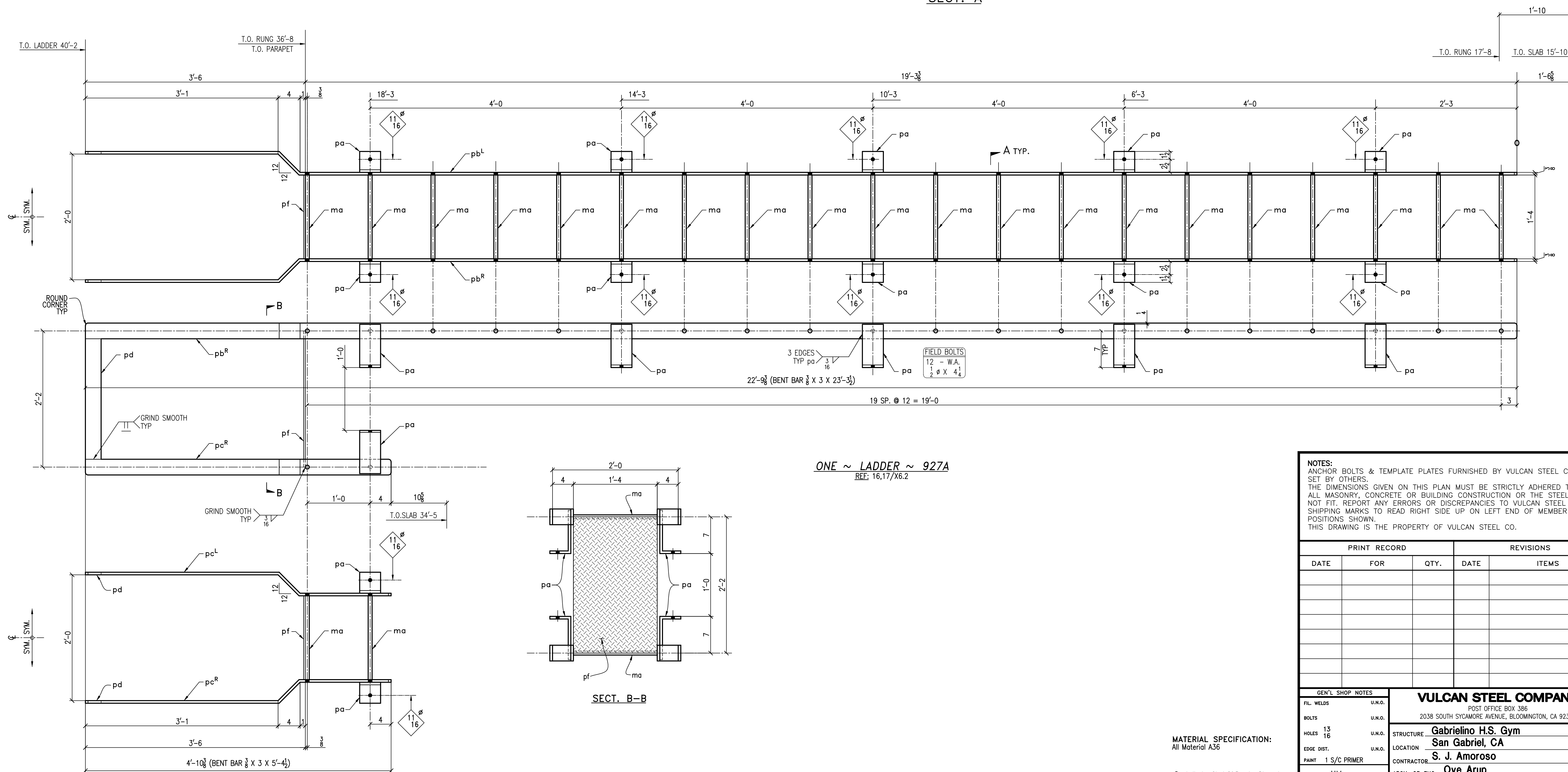


BILL OF MATERIAL

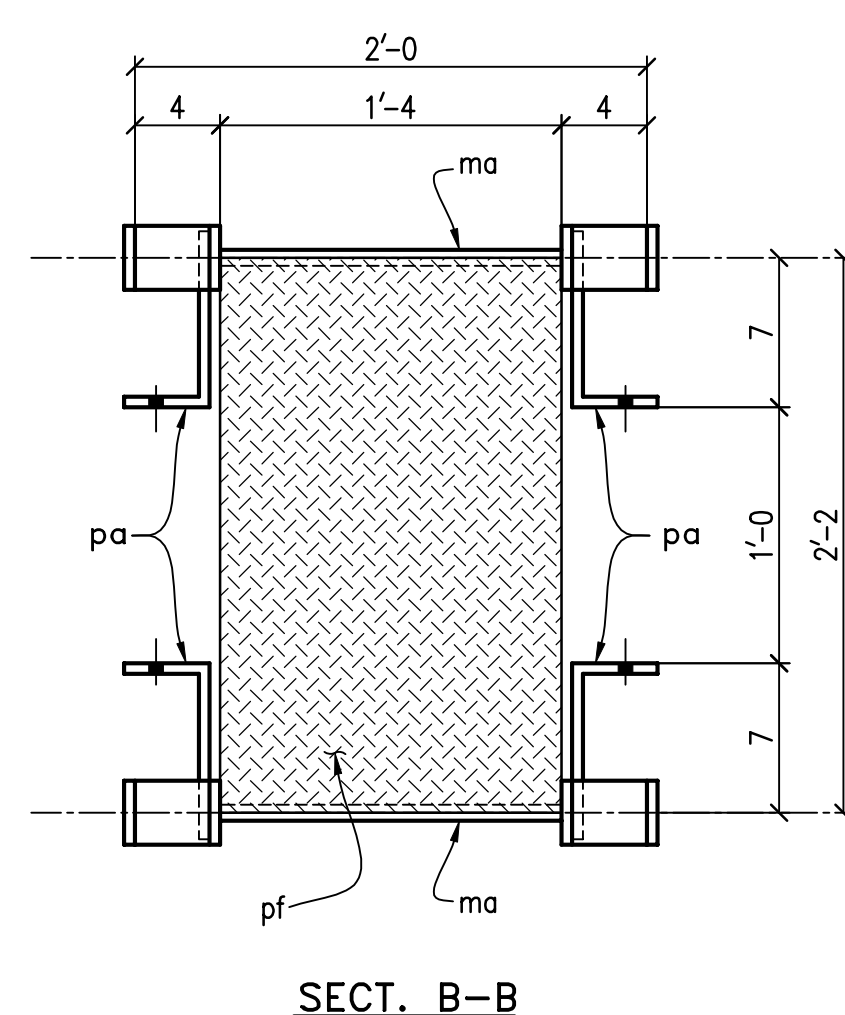
NO. OF PIECES	SHIP'G MARK	ASS'Y MARK	SECTION	LENGTH		REMARKS	WT.	CWT.	TOTAL
				FEET	INCHES				
ONE	927A		LADDER						
12		pa	BENT BAR 1/2 X 4	1	0-3/8				
1		pb ^L	BENT BAR 3/8 X 3	23	3 1/2				
1		pc ^R	BENT BAR 3/8 X 3	5	4 1/2				
2		pd	BAR 3/8 X 3	1	11				
ONE		pf	CHK'D R 1/4 X 16	2	2				
22		ma	BAR 3/4 ϕ	1	4 1/2				
FIELD BOLTS									
12			WEDGE ANCHOR, 1/2 ϕ , N&W	0	4 1/4	WS1242			



SECT. A



ONE ~ LADDER ~ 927A
REV: 16,17/X6.2



SECT. B-B

NOTES:
ANCHOR BOLTS & TEMPLATE PLATES FURNISHED BY VULCAN STEEL CO. & SET BY OTHERS.
THE DIMENSIONS GIVEN ON THIS PLAN MUST BE STRICTLY ADHERED TO IN ALL MASONRY, CONCRETE OR BUILDING CONSTRUCTION OR THE STEEL WILL NOT FIT. REPORT ANY ERRORS OR DISCREPANCIES TO VULCAN STEEL CO. SHIPPING MARKS TO READ RIGHT SIDE UP ON LEFT END OF MEMBER IN POSITIONS SHOWN.
THIS DRAWING IS THE PROPERTY OF VULCAN STEEL CO.

PRINT RECORD			REVISIONS	
DATE	FOR	QTY.	DATE	ITEMS

GEN'L SHOP NOTES		VULCAN STEEL COMPANY POST OFFICE BOX 386 2038 SOUTH SYCAMORE AVENUE, BLOOMINGTON, CA 92316	
FIL WELDS	U.N.O.		
BOLTS	U.N.O.	STRUCTURE	Gabrielino H.S. Gym
HOLES	13 U.N.O. 16 U.N.O.	LOCATION	San Gabriel, CA
EDGE DIST.	U.N.O.	CONTRACTOR	S. J. Amoroso
PAINT	1 S/C PRIMER	ARCH. OR ENG.	Ove Arup
DRAWN BY	H.M. DATE 11/12	CONTRACT NO.	0009
CHKD. BY	H.M. DATE 11/13	SHEET NO.	27

MATERIAL SPECIFICATION:
All Material A36

○ Indicates Start Of Running Dimensions
⊗ Indicates Erection Target