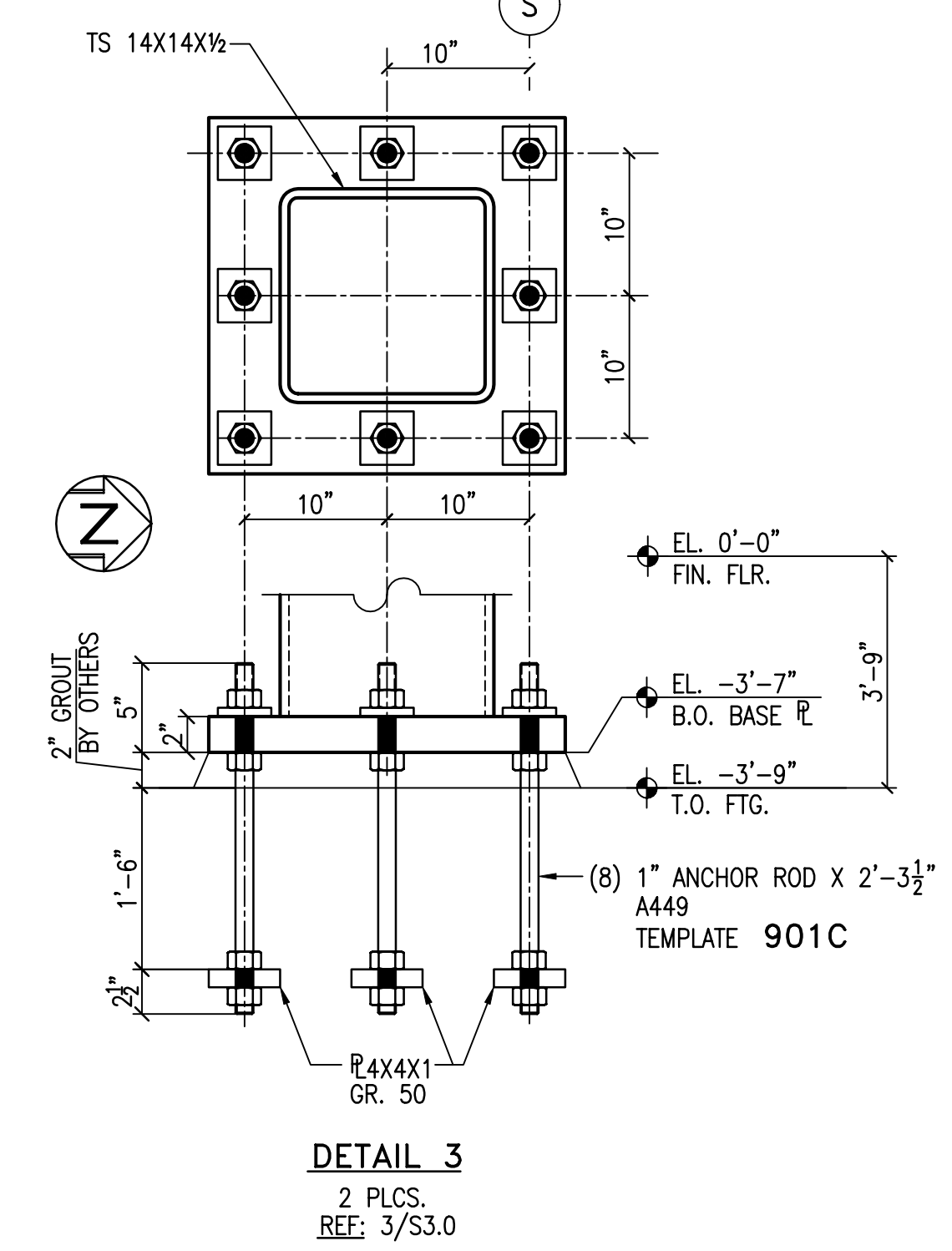
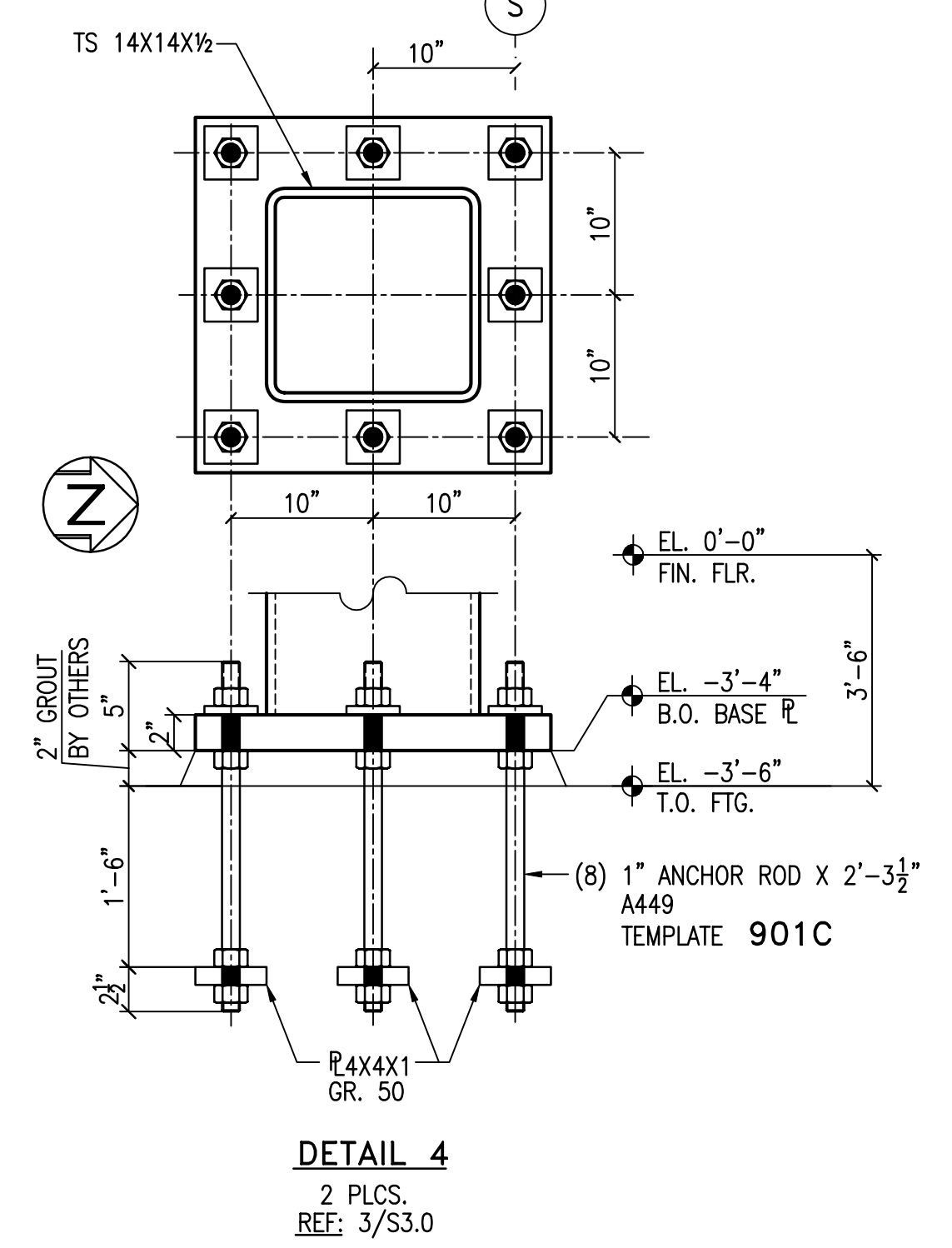
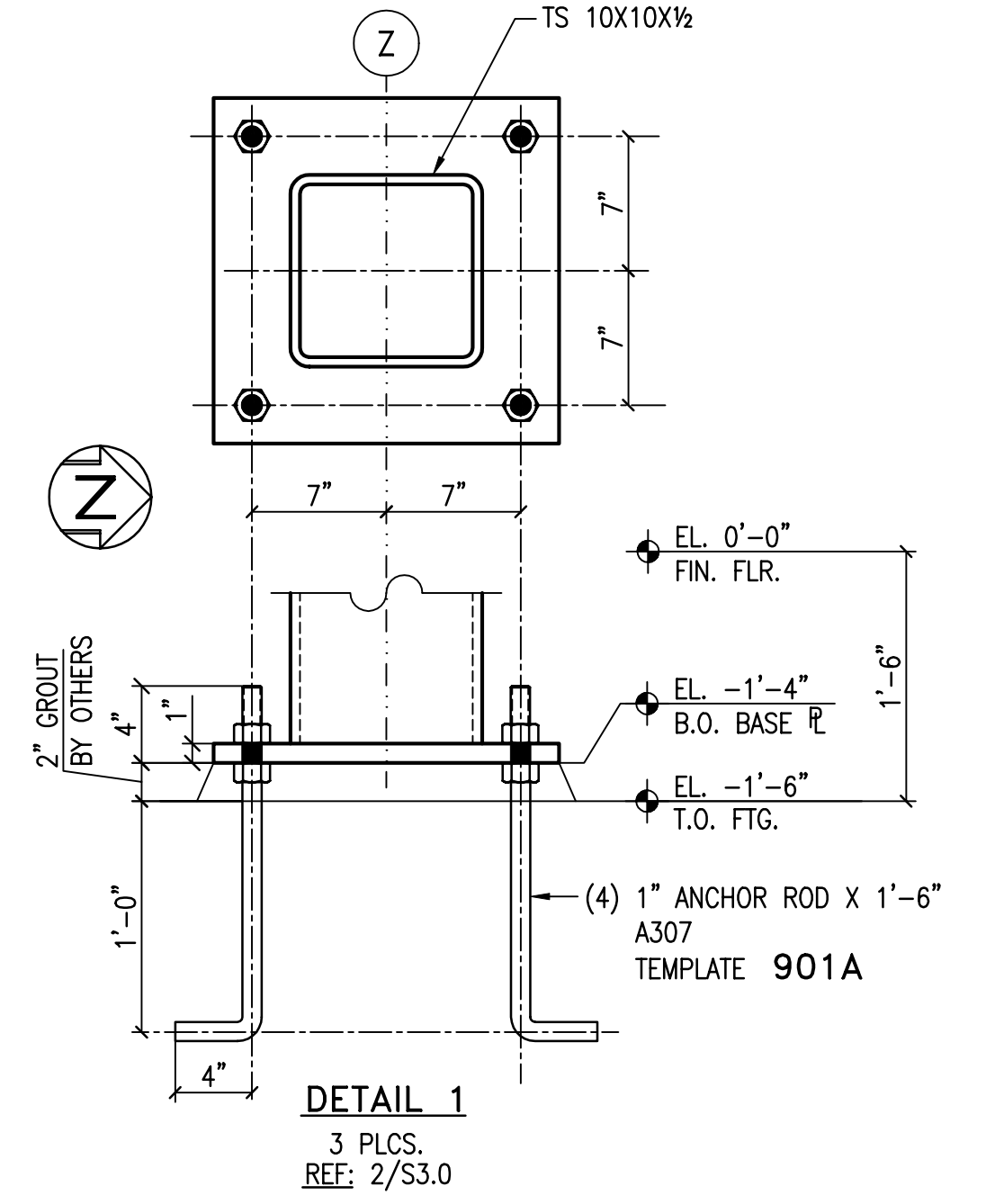
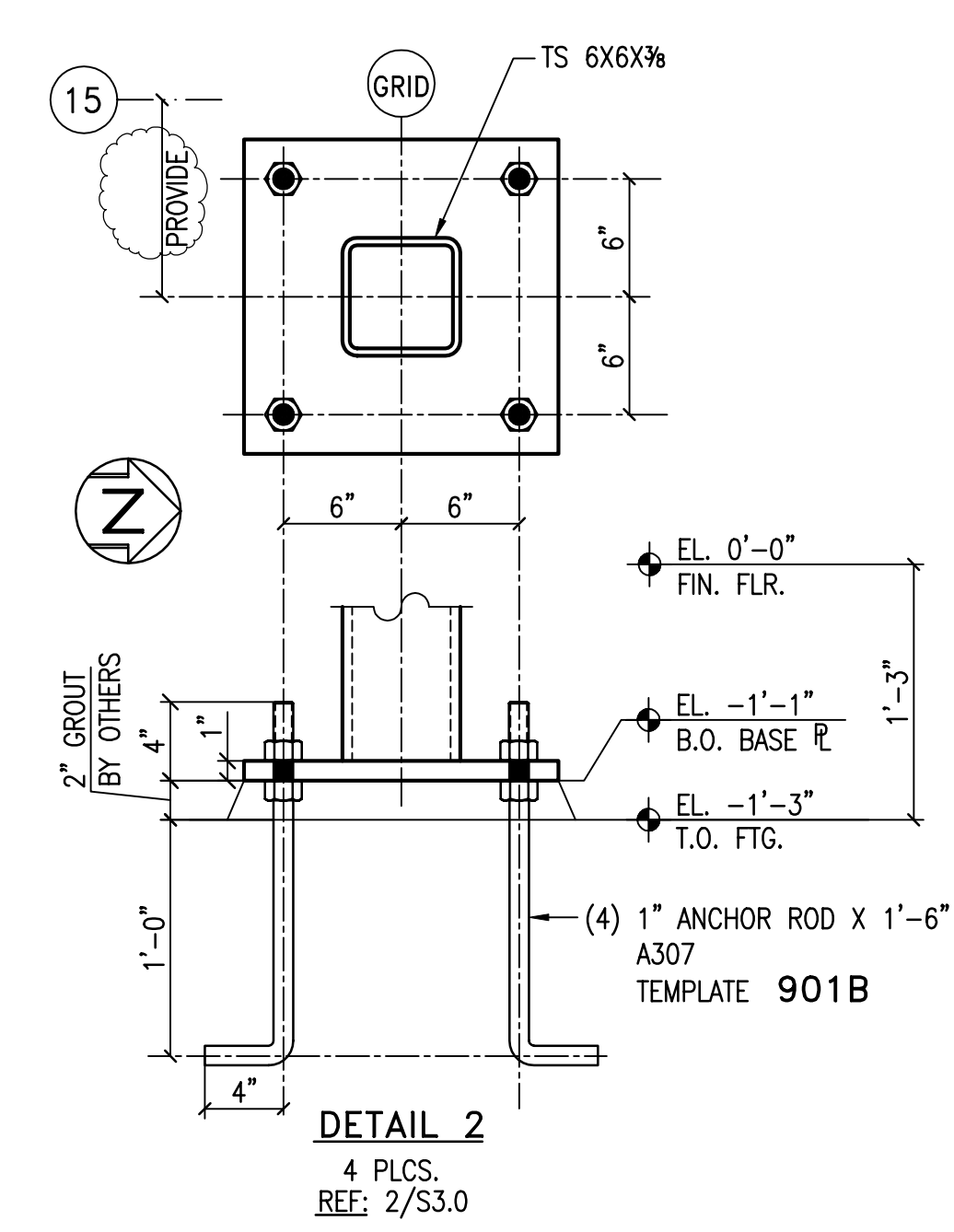


Anchor Bolt Setting Plan - Area D - Gymnasium
REF: S21.DR



NOTES:
ANCHOR BOLTS & TEMPLATE PLATES FURNISHED BY VULCAN STEEL CO. & SET BY OTHERS.
THE DIMENSIONS GIVEN ON THIS PLAN MUST BE STRICTLY ADHERED TO IN ALL MASONRY, CONCRETE OR BUILDING CONSTRUCTION OR THE STEEL WILL NOT FIT. REPORT ANY ERRORS OR DISCREPANCIES TO VULCAN STEEL CO. SHIPPING MARKS TO READ RIGHT SIDE UP ON LEFT END OF MEMBER IN POSITIONS SHOWN.
THIS DRAWING IS THE PROPERTY OF VULCAN STEEL CO.

PRINT RECORD			REVISIONS	
DATE	FOR	QTY.	DATE	ITEMS

DIMENSIONS MAY BE DISTORTED FOR CLARITY.
DO NOT SCALE THIS DRAWING.

GEN'L SHOP NOTES		VULCAN STEEL COMPANY	
FIL WELDS	U.N.O.	POST OFFICE BOX 386	
BOLTS	U.N.O.	2038 SOUTH SYCAMORE AVENUE, BLOOMINGTON, CA 92316	
HOLES	U.N.O.	STRUCTURE	Gabrielino H.S. Gym
EDGE DIST.	U.N.O.	LOCATION	San Gabriel, CA
PAINT		CONTRACTOR	S. J. Amoroso
DRAWN BY HM	DATE 8/13/00	ARCH. OR ENG.	Ave Arup
CHKD. BY HM	DATE 8/18/00	CONTRACT NO.	0009
			SHEET NO. AB901/0